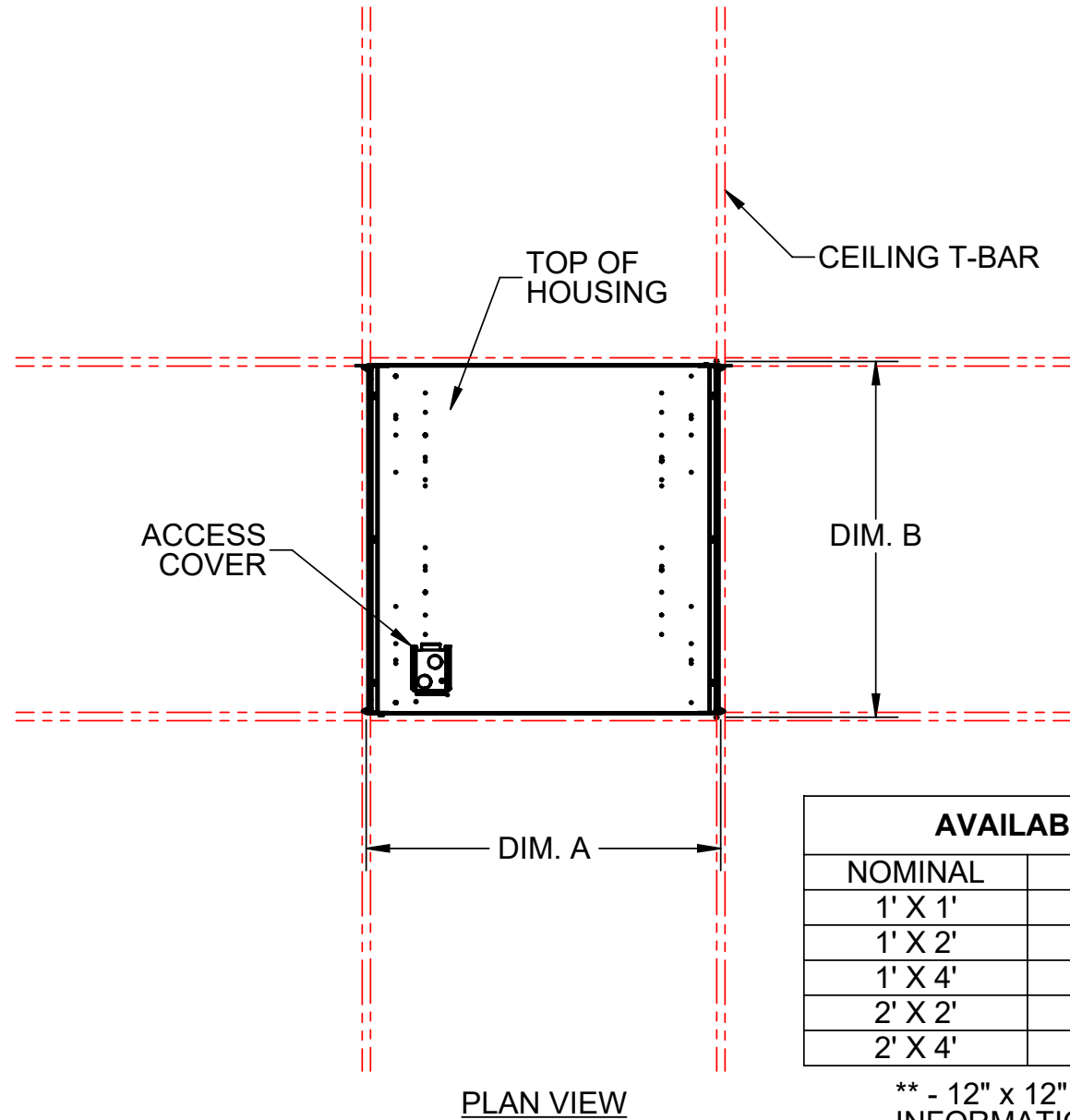
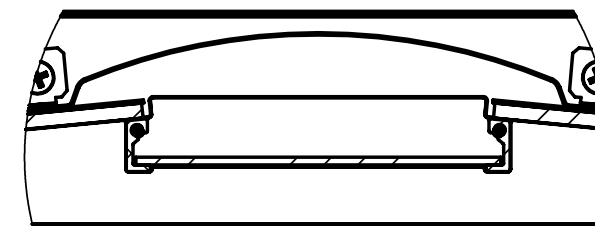
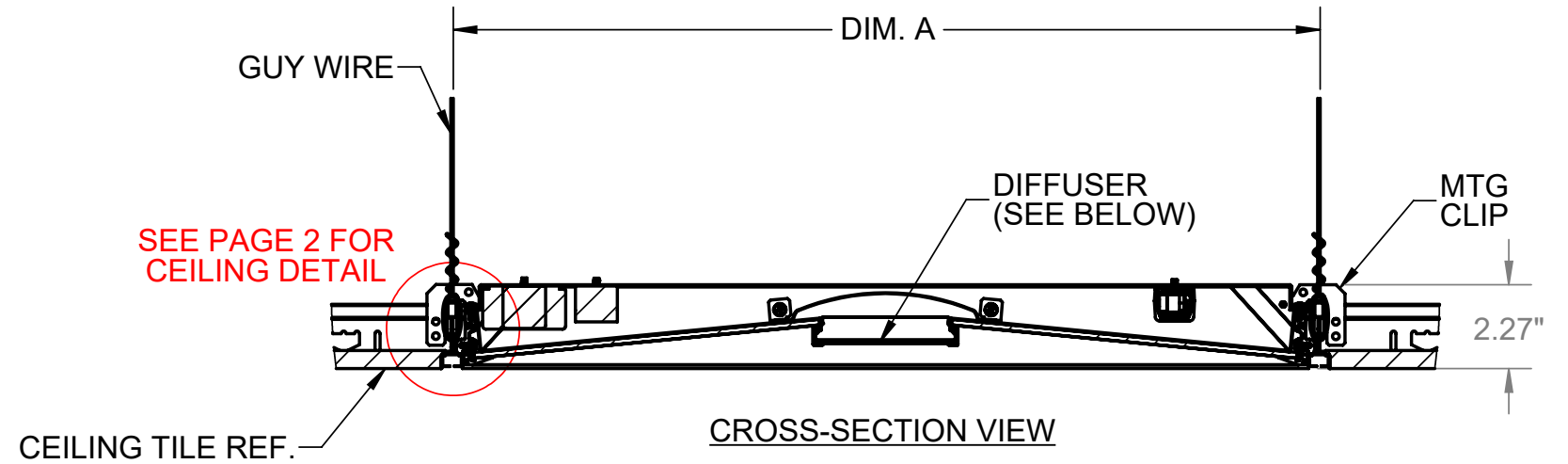


NOTE* FOR DRYWALL INSTALLATION SEE PAGE 5

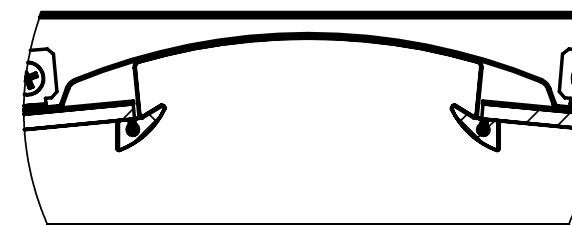


AVAILABLE FIXTURE SIZES		
NOMINAL	DIM. A	DIM. B
1' X 1'	12 ^{**}	12 ^{**}
1' X 2'	12"	24"
1' X 4'	12"	48"
2' X 2'	24"	24"
2' X 4'	24"	48"

** - 12" x 12" SPECIFIC MOUNTING INFORMATION ON PAGE 4



CROSS-SECTION VIEW OF DIFFUSER



CROSS-SECTION VIEW OPN (NO DIFFUSER)

GENERAL NOTES: (READ SHEETS COMPLETELY BEFORE STARTING)

1. WEAR CLEAN GLOVES TO PREVENT TRANSFER OF DIRT OR OIL ONTO FIXTURE.
2. LEAVE PROTECTIVE WRAPPING ON FIXTURE(S) UNTIL START OF INSTALLATION.
3. LEAVE PROTECTIVE FILM ON FIXTURE UNTIL CONSTRUCTION IS COMPLETE.
4. CEILING TILES ADJACENT TO FIXTURE LOCATION(S) MAY NEED TO BE REMOVED DURING INSTALLATION. REFER TO STEP-BY-STEP INSTRUCTIONS FOR DETAILS.
5. ILLUSTRATIONS IN STEP-BY-STEP INSTRUCTIONS DEPICT 24" X 24" FIXTURE UNLESS OTHERWISE NOTED. INSTALLATION PROCEDURES APPLY TO ALL FIXTURE SIZES.
6. MAXIMUM MOUNTING HEIGHT FOR STANDARD FIXTURES IS 34'. MAXIMUM MOUNTING HEIGHT FOR FIXTURE EQUIPPED WITH EMERGENCY DRIVER IS 18'

TOOLS REQUIRED

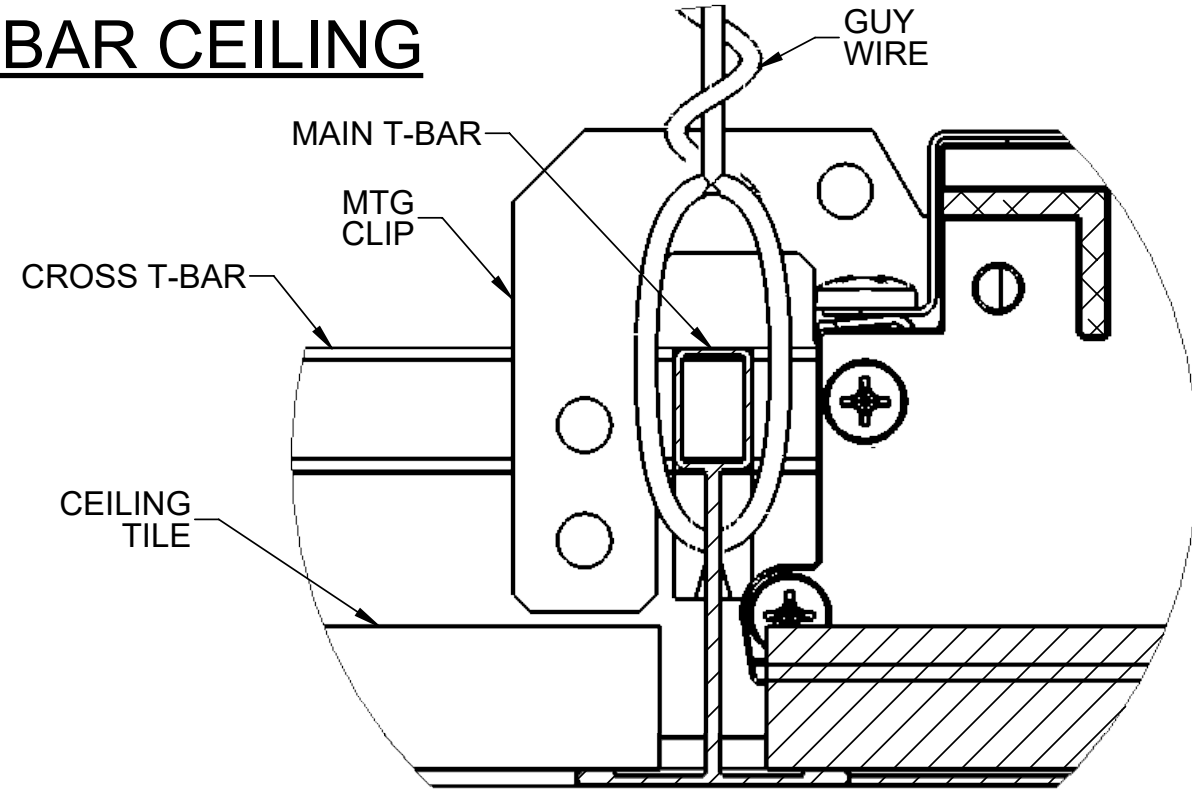
- NITRILE GLOVES
- SCREWDRIVERS
- DRILL
- RAZOR KNIFE FOR 1X1 ONLY

SUPPLIED BY INSTALLER

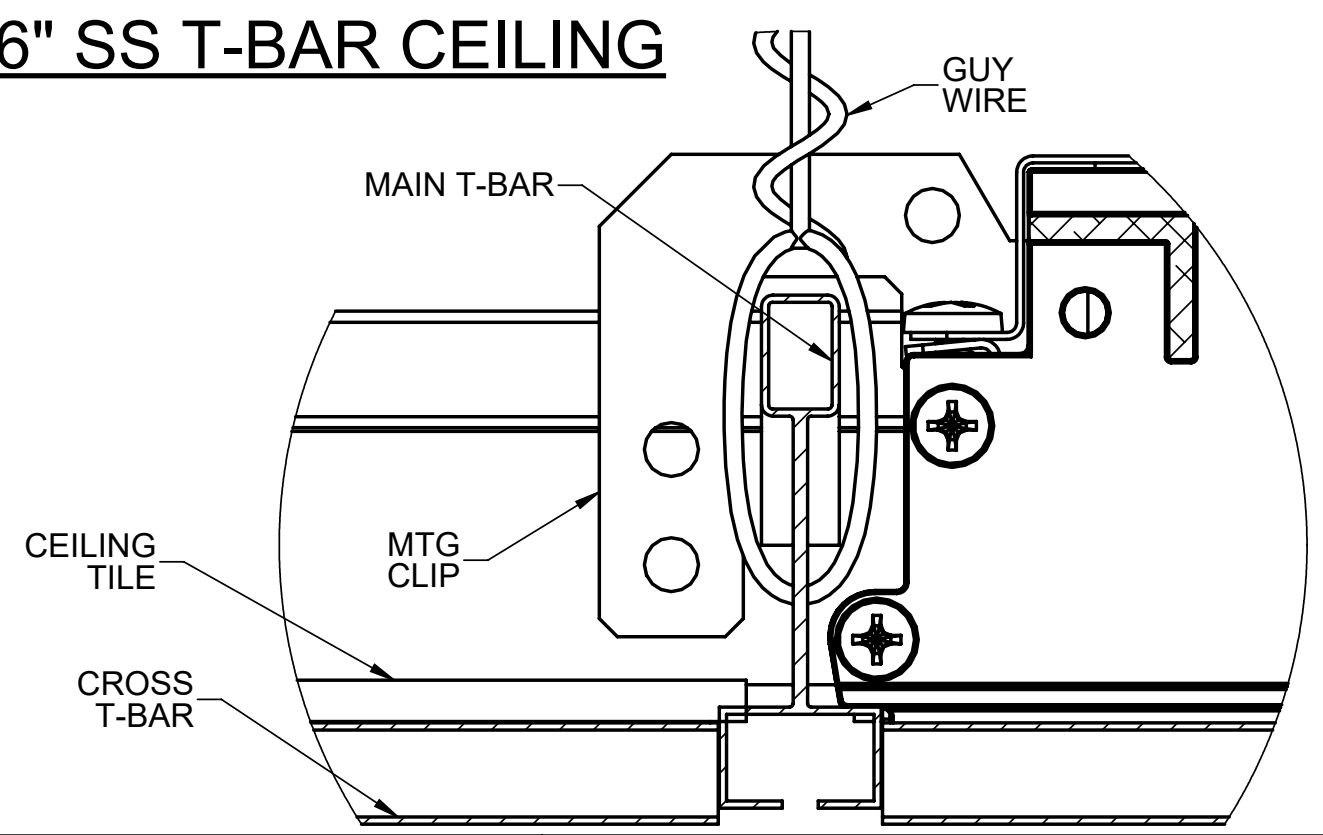
- FLEXIBLE CONDUIT

CEILING DETAILS

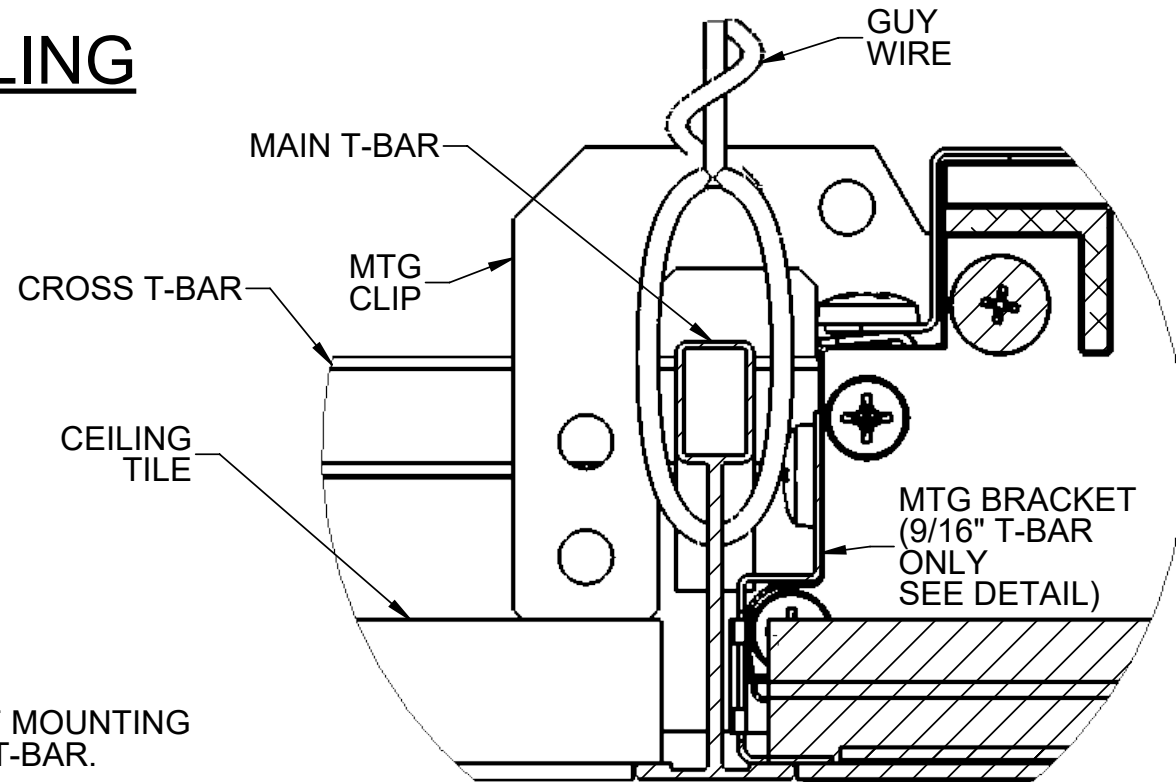
15/16" T-BAR CEILING



9/16" SS T-BAR CEILING

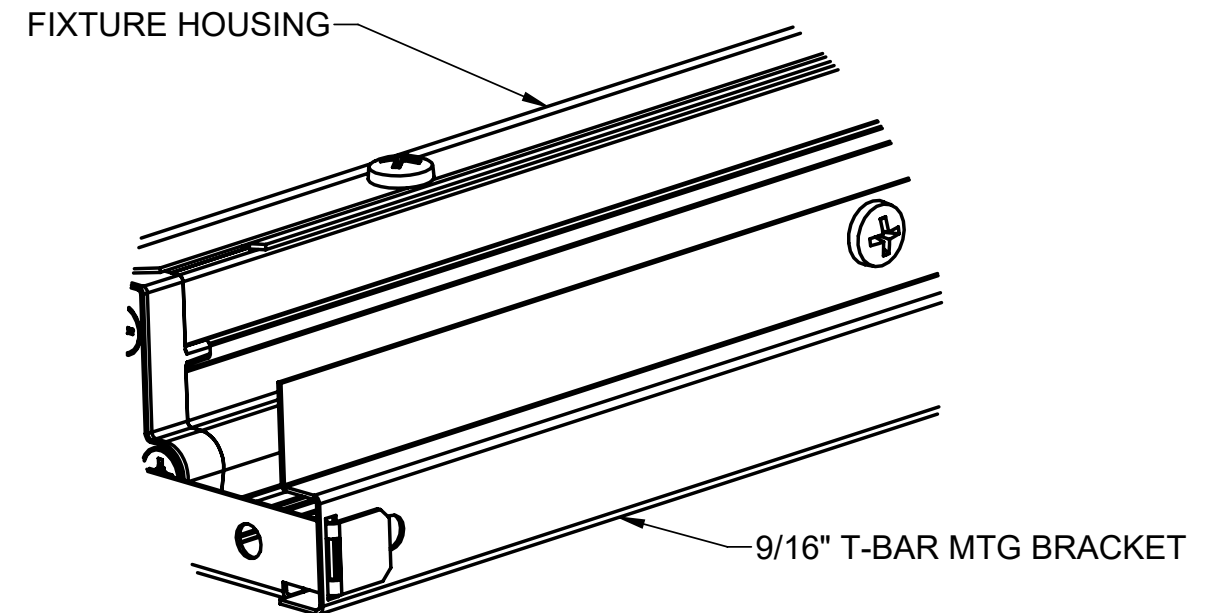


9/16" T-BAR CEILING



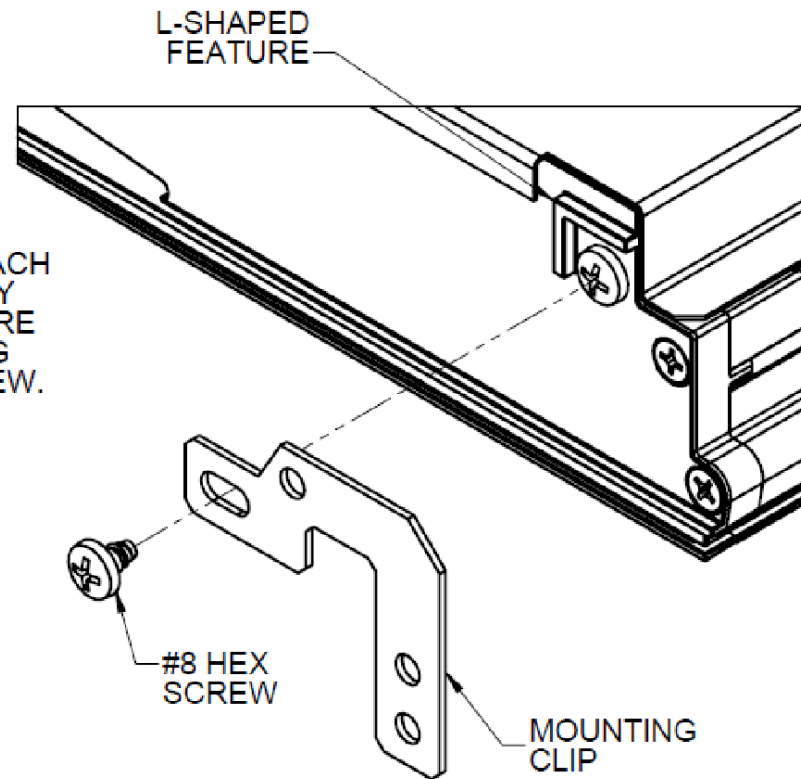
NOTE: BOTTOM FLANGE OF MOUNTING BRACKET RESTS ON MAIN T-BAR.

SECURE MOUNTING BRACKET TO FIXTURE HOUSING BEFORE INSTALLATION

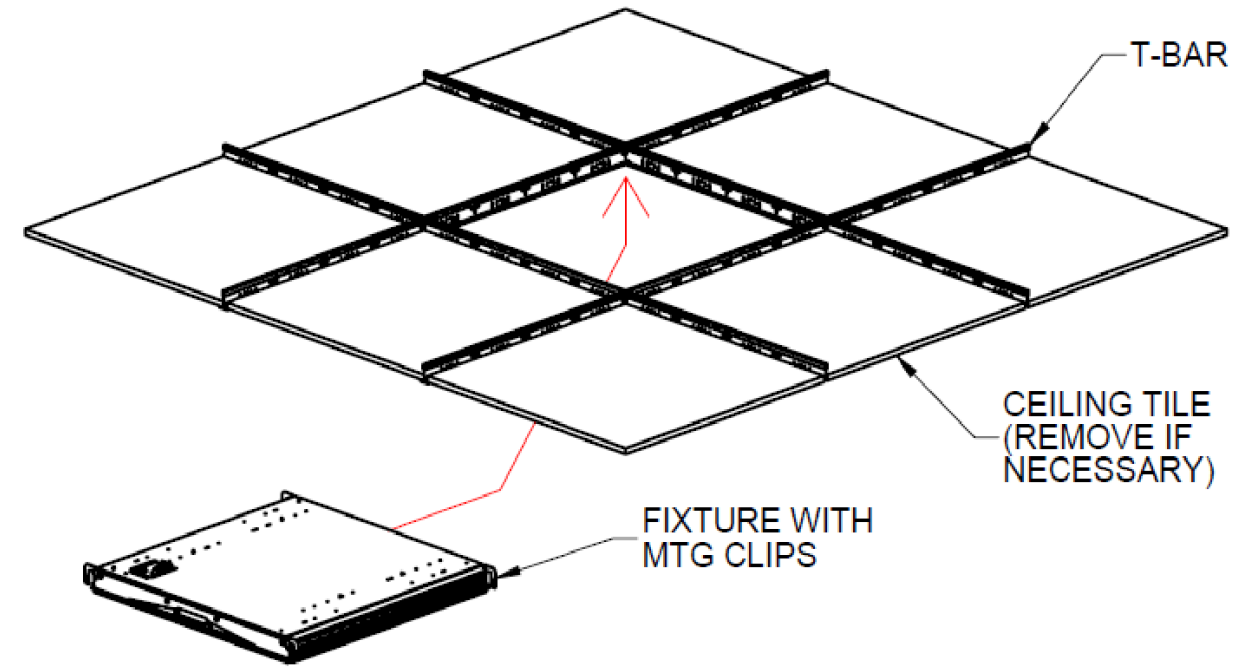


1

ATTACH (1) MOUNTING CLIP AT EACH CORNER OF FIXTURE (4 TOTAL) BY ALIGNING WITH L-SHAPED FEATURE ON FIXTURE WALL AND SECURING WITH (1) #8 X 3/8" LONG HEX SCREW.



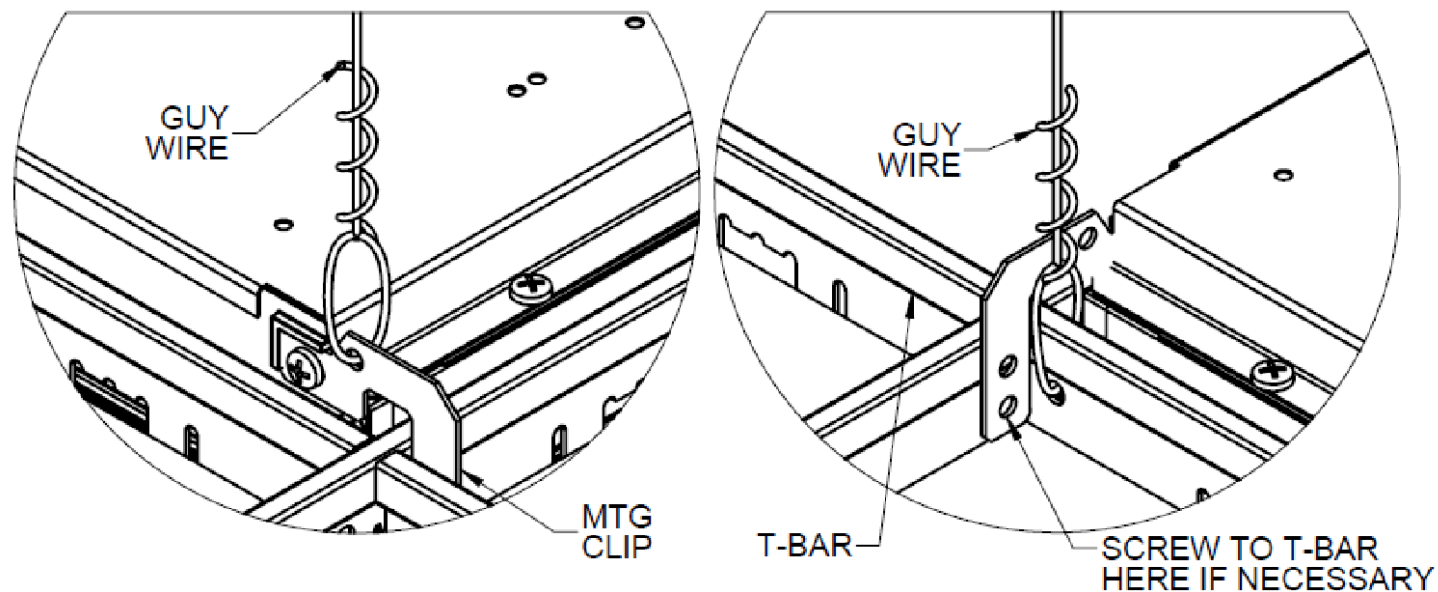
2



WEARING CLEAN GLOVES, LIFT FIXTURE BY OUTERMOST HOUSING RAILS DIAGONALLY THROUGH CEILING OPENING AND REST ON CEILING T-BARS, REFERRING TO CEILING DETAILS ON PAGE 2. DO NOT LIFT BY CENTER RAILS OR LENSES.

NOTE: IN CASE OF OBSTACLE ABOVE CEILING OPENING, REMOVE ADJACENT CEILING TILE, LIFT FIXTURE THROUGH ADJACENT OPENING, AND SLIDE INTO DESIRED LOCATION.

3

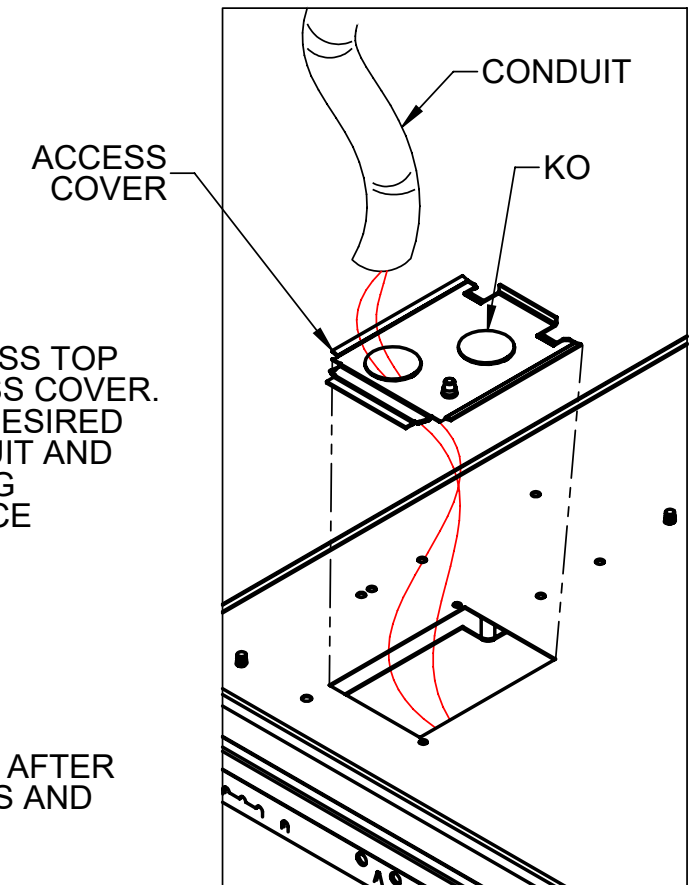


ATTACH GUY WIRES FROM OVERHEAD CEILING STRUCTURE AT EACH CORNER OF FIXTURE. ATTACH TO EITHER THE MOUNTING CLIPS (LEFT) OR THE T-BARS (RIGHT).

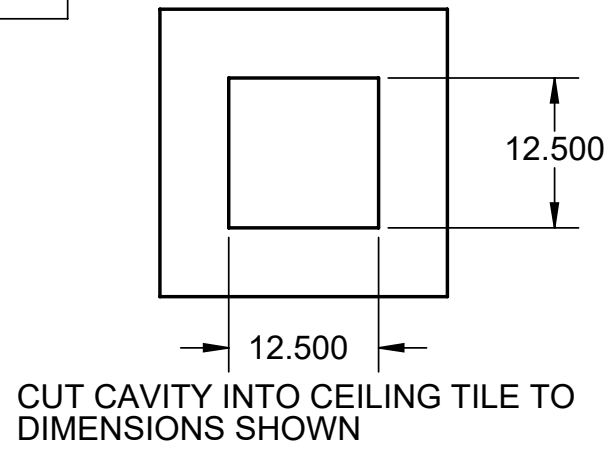
4

REMOVE ADJACENT CEILING TILE TO ACCESS TOP OF HOUSING. SLIDE AND SHIFT OUT ACCESS COVER. REMOVE (1) KNOCKOUT FROM COVER AT DESIRED FEED LOCATION. ATTACH FLEXIBLE CONDUIT AND MAKE WIRING CONNECTIONS. PUSH WIRING CONNECTIONS INTO HOUSING AND REPLACE ACCESS COVER.

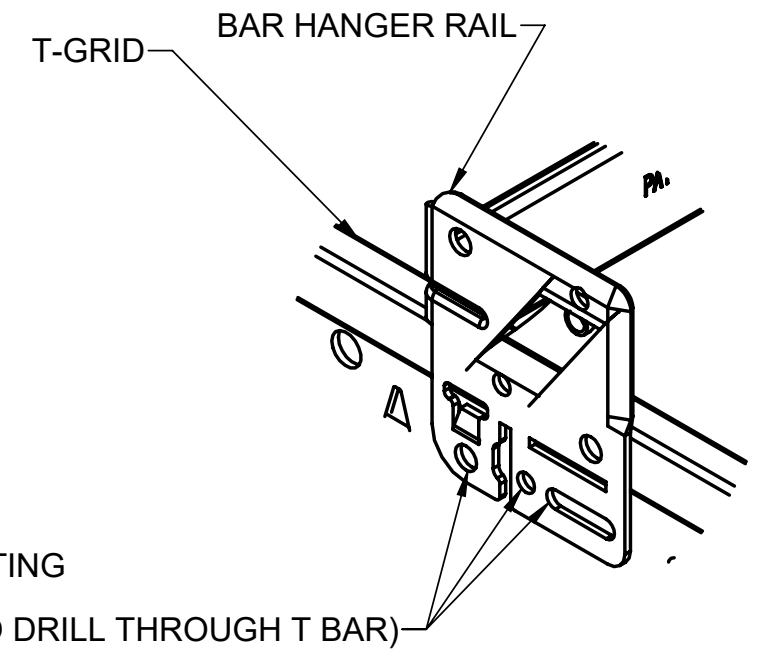
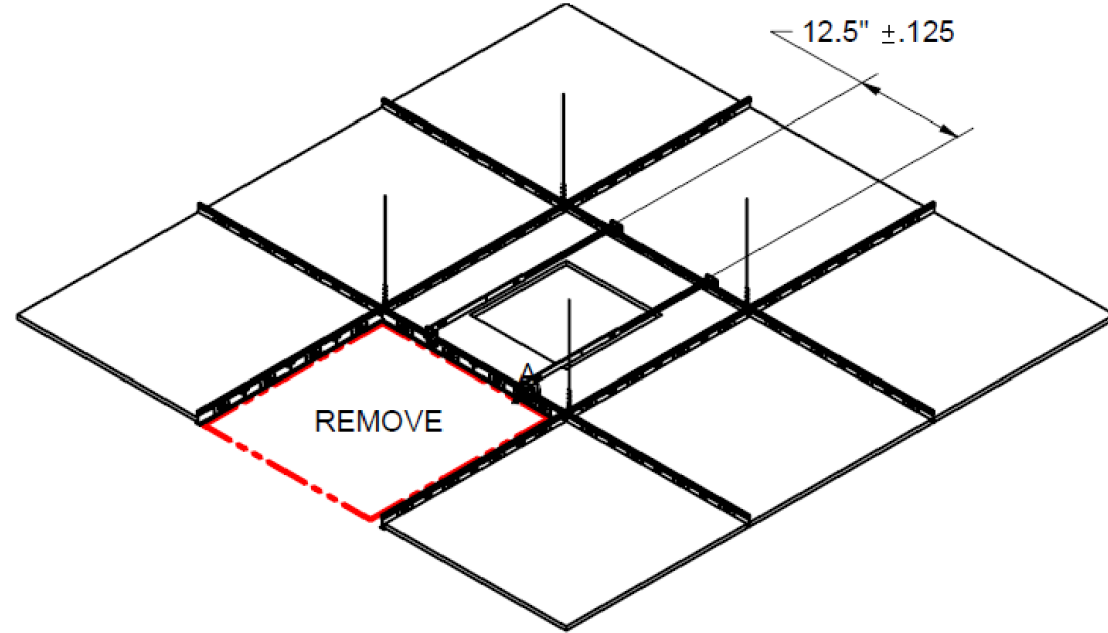
NOTE* IF TOP OF FIXTURE IS INACCESSIBLE AFTER INSTALLATION, MAKE WIRING CONNECTIONS AND REPLACE ACCESS COVER FIRST.



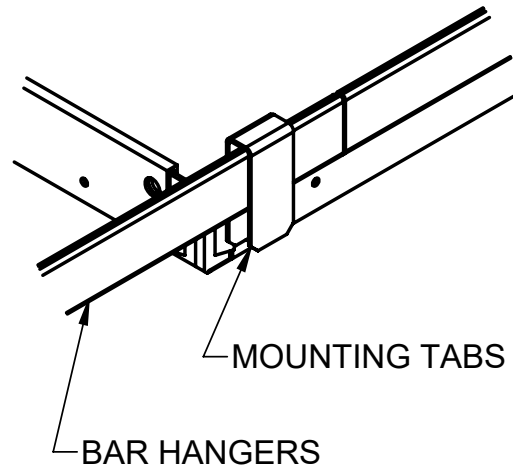
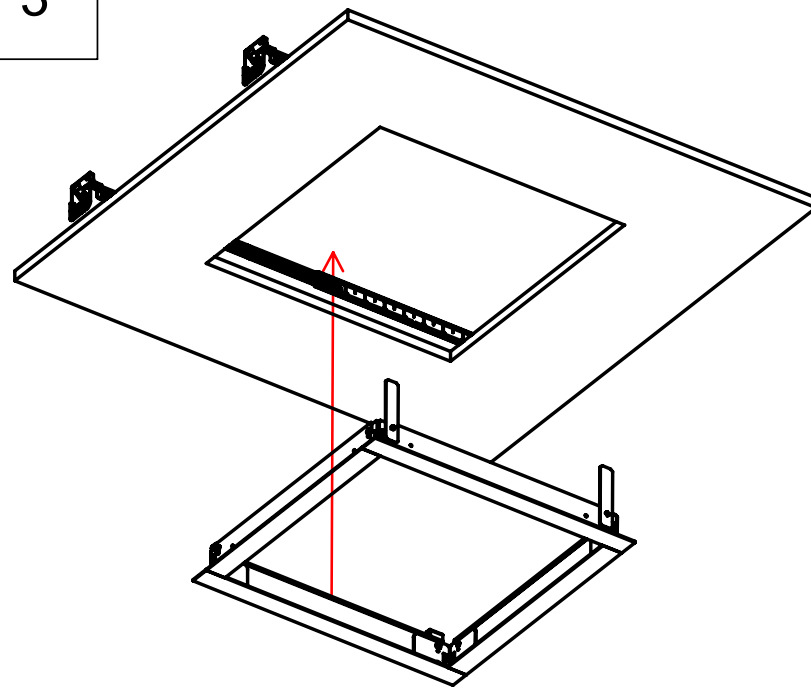
2



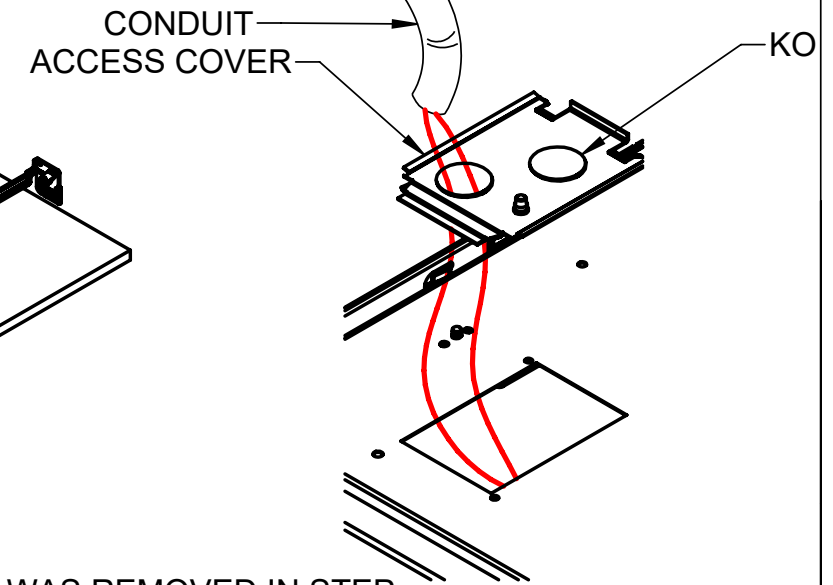
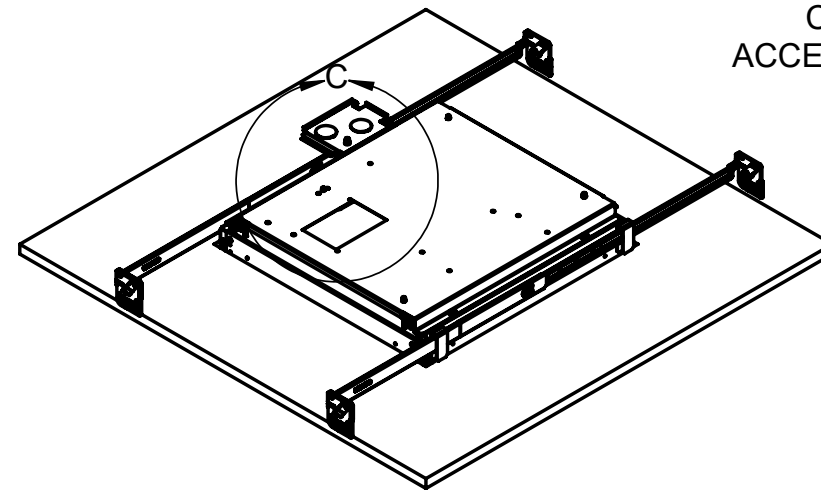
2



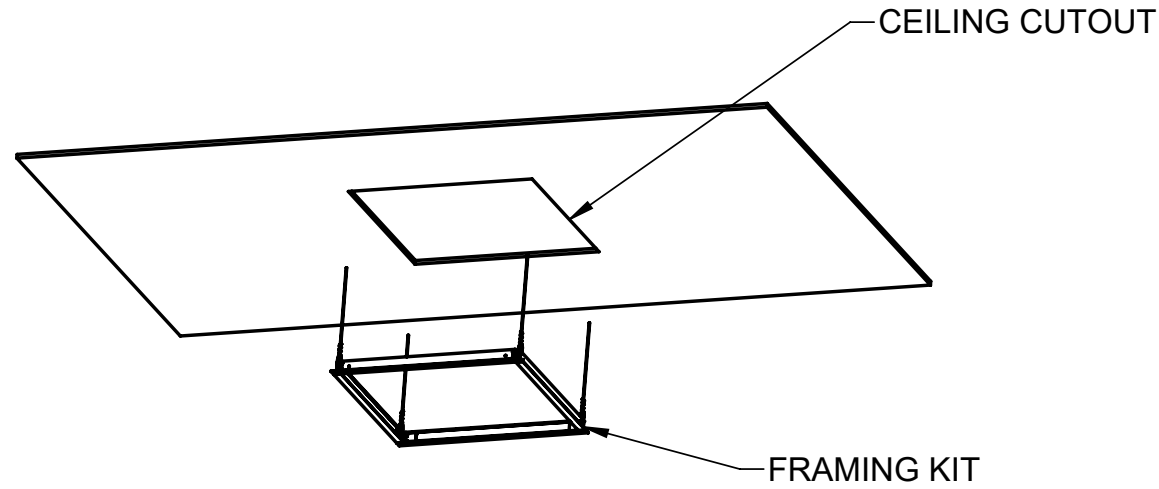
3



4

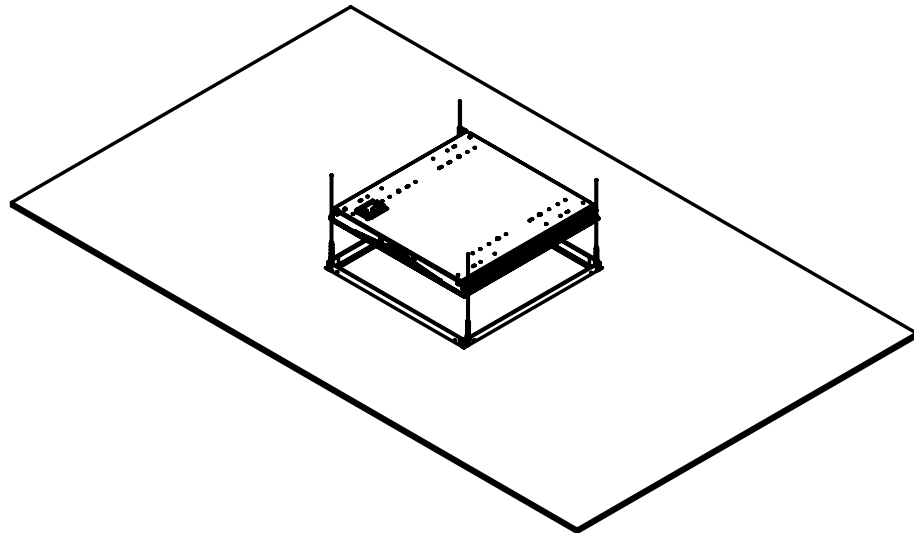


2



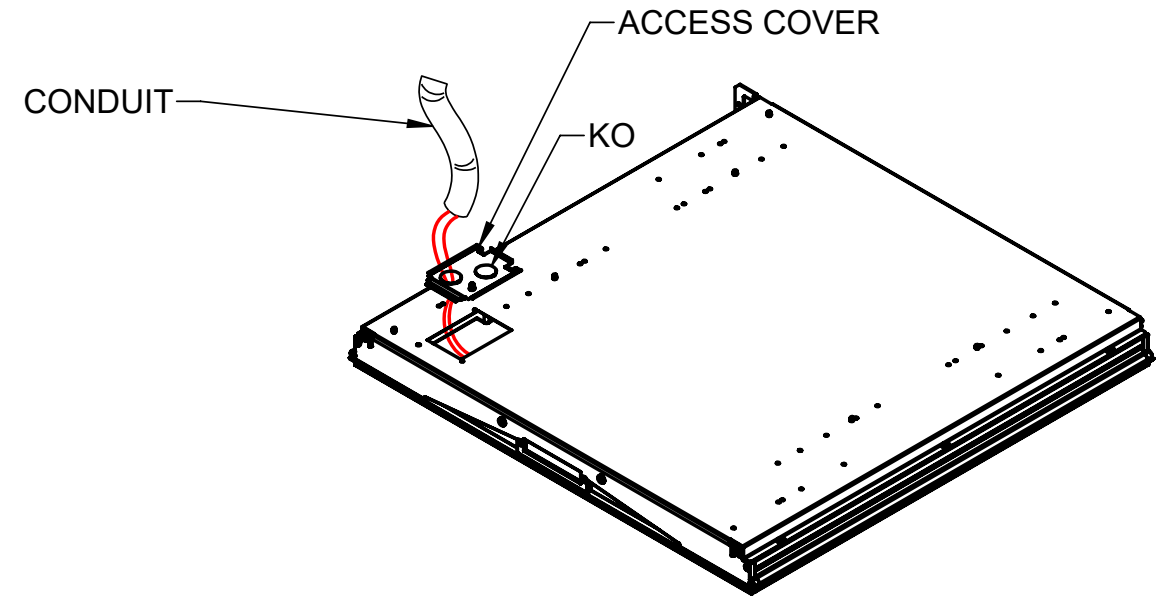
REMOVE FRAMING KIT AND ASSEMBLE PER INSTRUCTION SHEET 510685. CUT CEILING OPENING DIMENSIONS PER TABLE

3



LIFT FIXTURE DIAGONALLY THROUGH FRAMING KIT AND OPENING, AND LET FIXTURE REST ON FRAME KIT RAILS

2



SLIDE AND SHIFT OUT ACCESS COVER. REMOVE (1) KNOCKOUT FROM COVER AT DESIRED FEED LOCATION. ATTACH FLEXIBLE CONDUIT AND MAKE WIRING CONNECTIONS. PUSH WIRING CONNECTIONS INTO HOUSING AND REPLACE ACCESS COVER.

DIMENSION TABLE FOR CUT OUTS

FIXTURE LENGTH	FIXTURE WIDTH	LENGTH DIMENSION	WIDTH DIMENSION
12"	12"	12.5"	12.5"
12"	24"	12.5"	24.5"
12"	48"	12.5"	48.5"
24"	24"	24.5"	24.5"
24"	48"	24.5"	48.5"

TOOLS REQUIRED

- NITRILE GLOVES
- RAZOR KNIFE
- WIRE CUTTERS

SUPPLIED BY INSTALLER

FLEXIBLE CONDUIT
GUY WIRE OR CHAIN (WIRE PREFERRED)

WHEN CLEANING THE VORA 50L FIXTURE, ALWAYS USE PRESCRIBED CLEANING AND HANDLING PROCEDURES OUTLINED ON THIS DOCUMENT. IF CLEANED OR HANDLED INCORRECTLY, FIXTURE CAN BE PERMANENTLY DAMAGED. NOTE: FOR ADDITIONAL INFORMATION, PLEASE CONTACT FACTORY.

PRIOR TO CLEANING, PERFORM VISUAL INSPECTION OF SURFACE TO EVALUATE THE CONDITION OF LENS AND TYPE OF CONTAMINANT.

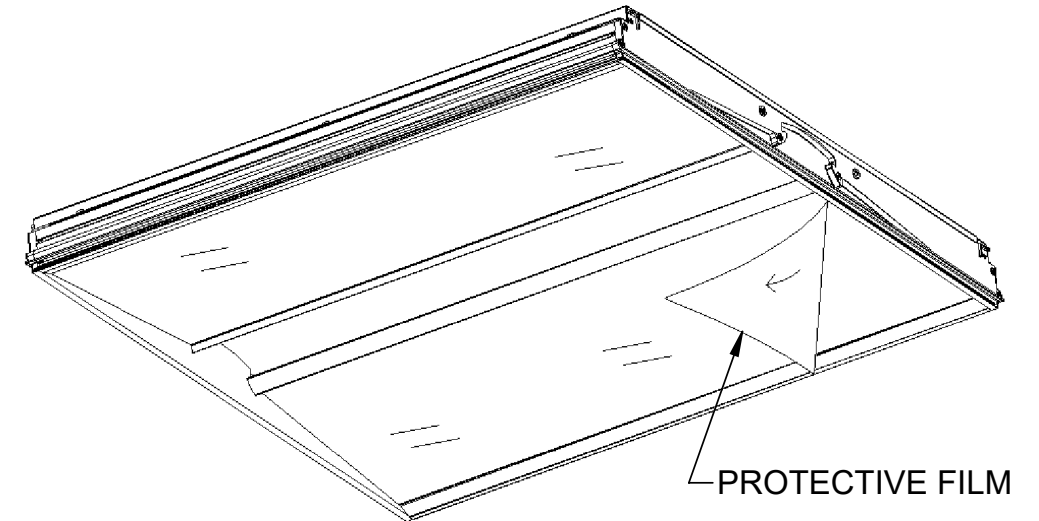
FOR LENSES WITH MORE THAN ONE CONTAMINANT, ALWAYS REMOVE DUST PRIOR TO REMOVING OIL, AS OUTLINED ON THIS DOCUMENT. FAILURE TO FOLLOW THE ORDER OF OPERATIONS CAN RESULT IN PERMANANT DAMAGE.

REMOVING DUST AND LOOSE PARTICULATES FROM SURFACE:

1. BEFORE USING ANY OTHER CLEANING METHOD, DUST AND OTHER LOOSE PARTICULATES SHOULD FIRST BE BLOWN AWAY. TO AVOID STATIC BUILDUP, USE COMPRESSED AIR ACROSS ENTIRE LENS.
2. BEGIN FLOW OF AIR WITH NOZZLE FACING AWAY FROM LENS.
3. HOLD COMPRESSED AIR CANISTER 6" AWAY FROM LENS AND RELEASE AIR IN SHORT BURSTS.
4. IN A CONSISTENT, ONE-WAY DIRECTION MOVE NOZZLE OF COMPRESSED AIR CANISTER OVER THE LENS AT A GRAZING ANGLE.
5. THIS CLEANING PROCEDURE SHOULD BE USED AS A FIRST STEP IN CLEANING THE LENS BECAUSE IT IS NON-CONTACT AND SOLVENT FREE.

REMOVING OILS FROM SURFACE:

1. TO REMOVE FINGERPRINTS AND NON-LOOSE CONTAMINANTS, GENTLY WIPE SURFACE WITH MICROFIBER CLOTH.
2. IF ADDITIONAL CLEANING IS REQUIRED, A SOLUTION OF 50% DISTILLED WATER AND 50% ISOPROPYL ALCOHOL MAY BE USED. APPLY SOLUTION TO MICROFIBER CLOTH, **DO NOT SPRAY DIRECTLY ON LENS.**
3. GENTLY WIPE SURFACE WITH WET MICROFIBER CLOTH TO REMOVE CONTAMINANTS.
4. TO AVOID STREAKS ON LENS SURFACE, AVOID POOLING OF LIQUID. USE CLEAN, DRY MICROFIBER CLOTH TO DRY SURFACE. DO NOT ALLOW VORA 50L LENS TO REMAIN WET ANY LONGER THAN NECESSARY TO ACHIEVE DESIRED CLEANING RESULTS.
5. BECAUSE THIS PROCEDURE INCREASES RISK OF DAMAGE TO FIXTURE, IT SHOULD ONLY BE USED AS A LAST RESORT.



PEEL OFF PROTECTIVE FILM AFTER CONSTRUCTION IS COMPLETE

TOOLS REQUIRED

- NITRILE GLOVES
- MICROFIBER CLOTH
- COMPRESSED AIR
- ISOPROPYL ALCHOL
- DISTILLED WATER